

LESW-EM

MCTP

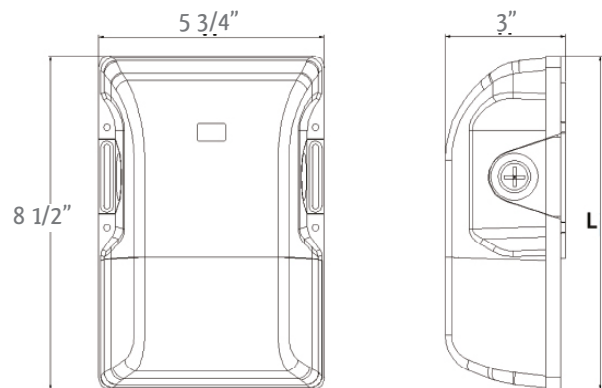


TECHNICAL SPECIFICATIONS:

- :: Multi-Power (The switch is inside the fixture)
- :: Housing: Die-cast aluminum
- :: Optical Lens: Polycarbonate Housing & Lens
- :: Beam Angle: 100°
- :: Voltage: 120V AC, 60Hz
- :: CRI: >80
- :: Power Factor: 95%
- :: Non-Cutoff Optics Ideal for Maximum Light Distribution
- :: IP67 Stainless Steel Test Button with Integrated Indicator Light
- :: 4W, 60V, 2500mAh Li-ion Battery for Minimum 90 Minutes Emergency Operation
- :: Operating Temp: -4°F to +113°F
- :: 70,000 hour rated life
- :: Suitable for Wet Locations, IP54
- :: 7-year warranty

APPLICATIONS:

- :: Entrance lighting, courtyard lighting;
- :: Industrial lighting, Outdoor landscape lighting;
- :: Building, The hote
- :: Wall lighting area and so on



LED ECONOMY OUTDOOR EMERGENCY WALL PACK

CATALOG NO.	WATTS	LPW	COLOR TEMP	DIMENSIONS
LESW-15-30W-MCTP-P-EM	15W/20W/30W	135LM/W	3000K/4000K/5000K	8 1/2"(L) x 5 3/4"(W) x 3"(H)
LESW-15-30W-MCTP-P-WH-EM	15W/20W/30W	135LM/W	3000K/4000K/5000K	

H17